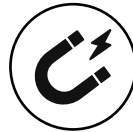


CLASS B & CLASS C DELUXE SEE-THROUGH WINDSHIELD COVER INSTALLATION INSTRUCTIONS



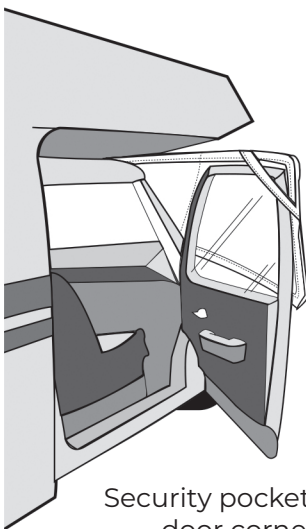
No drilling



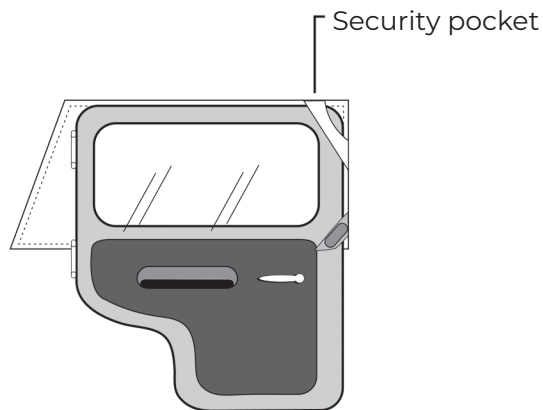
Magnetic fasteners

INSTALLATION STEPS

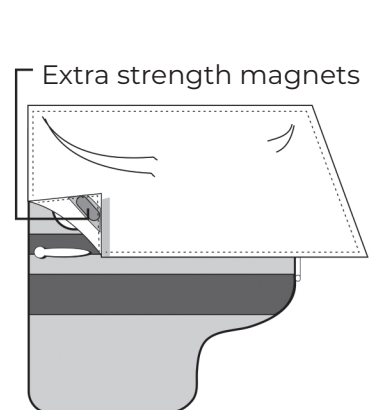
1. Center cover on windshield
2. Place security pockets over open door corners, then close doors
3. Check cover is secure



Security pockets over door corners



Inside view of door



Outside view of door