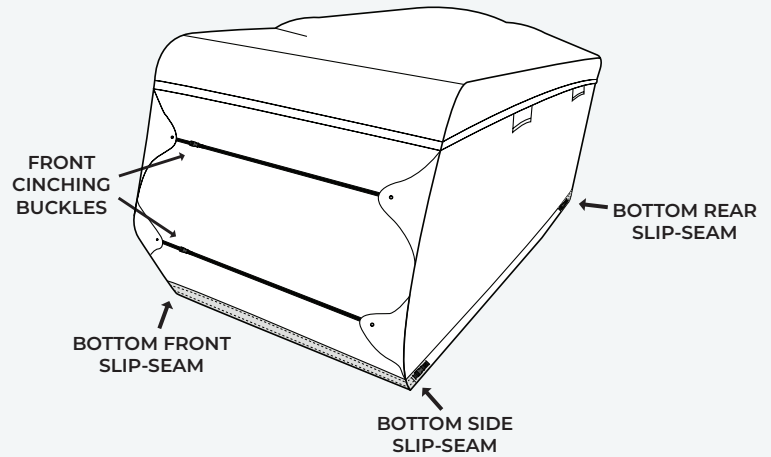


RV COVER INSTALLATION INSTRUCTIONS

CONTENTS

- RV cover
- Storage bag
- Ladder cap reinforcement cover
- RV gutter spout covers
- Adhesive reinforcement material



PREPARING FOR INSTALLATION

Make sure you've purchased the correct size cover for your RV by visiting Covercraft.com/c/rv to review sizing information. Measure your RV from end to end, including bumpers, spare tire, and ladder, but excluding the hitch (if applicable) and any mirrors that extend beyond the front of the coach. If you are unsure about sizing, call **Covercraft at 800-541-2326** to speak with a customer service representative.

Clean your RV thoroughly before covering it; a dirty surface can result in black streaks. Pad all sharp edges on the RV, including rain gutters (using the included RV Gutter Spout Covers), steps, ladders (using the included ladder cap), and abrasive corners. Be sure to cover the ladder cap last so it remains usable during installation.

Note: Check with your RV manufacturer to determine whether walking on the roof is recommended. If not, use a step ladder instead.

RV COVER INSTALLATION STEPS

1. Unroll the Cover

- **Position the Cover:** Lay the RV cover flat on the ground adjacent to your RV.
- **Release Straps and Buckles:** Unwind all straps and buckles to ensure the cover is free from tangles.

2. Prepare the Cover

- **Turn Inside Out:** While the cover is still on the ground, flip it inside out.
- **Identify the Front:** Locate the red leading edge, which marks the front of the cover.

3. Loosely Roll the Cover

- **Roll Back Up:** Gently roll the cover back up, leaving the red leading edge unrolled and exposed.

4. Climb and Position the Cover

- **Grab the Red Edge:** Hold the red leading edge firmly in your hand.
- **Ascend the Ladder:** Carefully climb the RV ladder with the red edge in hand.

5. Attach the Cover to the Roof

- **Pull Up the Cover:** From the roof, pull the cover up onto the RV, mimicking the motion of pulling a fire hose.

6. Move the Cover to the Front

- **Walk Forward:** Walk the cover towards the front of the RV while keeping the red leading edge in hand.
- **Toss the Front Down:** Gently toss the front of the cover towards the ground.

7. Spread the Cover Over the RV

- **Even Distribution:** Begin spreading the cover over the top of the RV. If turned inside out correctly, the sides should naturally fall into place.

8. Check Side Placement

- **Ensure Proper Hang:** Make sure the sides of the cover extend most of the way to the ground, allowing you to grab them easily from the ground.

9. Descend and Secure the Back

- **Begin Descent:** Start climbing down the ladder.
- **Install Ladder Cap:** As you descend, install the included ladder cap to keep the ladder accessible during installation.
- **Pull Down the Cover:** Once on the ground, pull the cover down over the back of the RV.

10. Center the Cover

- **Adjust Positioning:** Before securing any bottom corners, straighten out the cover on the RV to ensure it is centered properly.

UV HYDRO RV COVER INSTALLATION INSTRUCTIONS

11. Secure Bottom Corners

- **Fasten Corners:** Secure the bottom corners of the cover once it is centered.
- **Avoid Adjustments:** Do not make further adjustments or pull the fabric after securing to prevent tearing.

12. Tighten Slip-Seam Straps and Buckles

- **Front and Rear:** Tighten the Slip-Seam straps and buckles located at both the front and rear of the cover.
- **Side Bottom Edges:** There is a set of straps and buckles on each side at the bottom of the RV cover.

13. Adjust Cinching Straps and Buckles

- **Front and Rear:** Adjust the cinching straps and buckles located at the front and rear of the RV cover to ensure a snug fit.

14. Secure Bottom Straps and Buckles

- **Bottom Sides:** Finally, secure the bottom straps and buckles located on the bottom sides of the cover.
- **Proper Tension:** Ensure that the cover straps are moderately tight. Do not over-tighten to avoid damaging the cover.

RV COVER INSTALLATION STEPS

1. Begin Rolling the Panel

- Start at the bottom edge of the cover and carefully roll up the panel upward.

2. Secure with Velcro:

- Locate the Velcro strips positioned along the top of the cover. Fasten the Velcro at the bottom of the rolled panel to the Velcro at the top. This will secure the rolled panel in place, providing easy access to the entry doors and slide-outs.

INSTALLING GUTTER SPOUT COVERS

1. Position the Covers

- Carefully slide each gutter spout cover over the corresponding gutter spout on your RV.

2. Secure the Covers

- Make sure the covers are firmly in place to prevent any movement or gaps that could cause punctures.

REMOVING THE COVER FROM YOUR RV

1. Disconnect Straps and Buckles

- **Locate Fasteners:** Find all straps and buckles securing the cover at the bottom, front, and back of your RV.
- **Release Fasteners:** Carefully disconnect each strap and unbuckle them to free the cover from these points.

2. Remove Front and Rear Corners

- **Grip Corners:** Gently pull the cover away from the front and rear corners of the RV.
- **Lift Carefully:** Ensure you maintain control to prevent the cover from snagging or tearing.

3. Climb the Ladder with the Cover

- **Secure the Cover:** As you climb the ladder, hold the cover firmly to avoid it slipping.
- **Continue Pulling Up:** Gradually pull the cover upwards as you ascend to ensure it doesn't get tangled.

4. Adjust the Front of the Cover

- **Navigate Around Obstacles:** Carefully walk to the front of the RV, steering clear of A/C units and any uneven parts of the roof.
- **Position on Roof:** Lift the front section of the cover and pull it up onto the roof, ensuring it lies flat and secure.

5. Pull the Sides Onto the Roof

- **Navigate Around Obstacles:** Carefully walk to the front of the RV, steering clear of A/C units and any uneven parts of the roof.
- **Position on Roof:** Lift the front section of the cover and pull it up onto the roof, ensuring it lies flat and secure.

6. Roll Up the Cover

- **Start from the Rear:** Begin rolling the cover from the back of the RV, keeping the red leading edge exposed.
- **Complete the Roll:** Continue rolling until the entire cover is neatly rolled up.
- **Store the Cover:** Carefully place the rolled cover on the ground, ready for your next use.