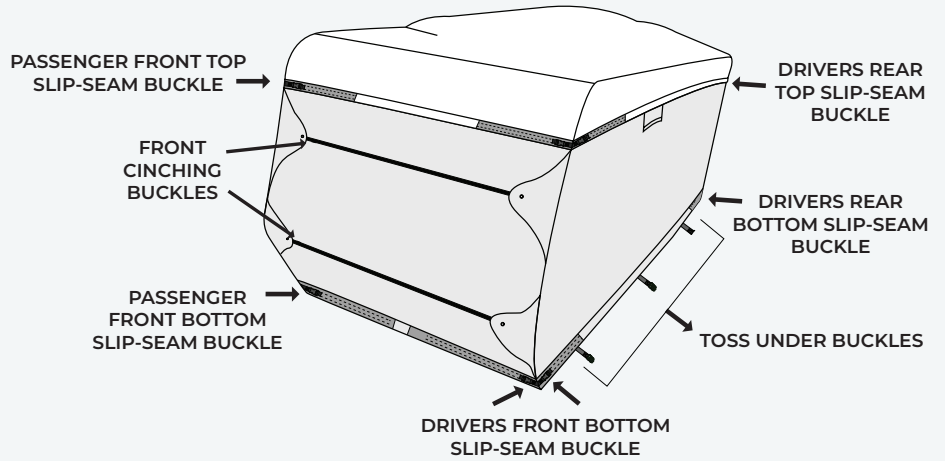


# INSTALLATION INSTRUCTIONS

## CONTENTS

- RV cover
- Storage bag
- Ladder cap reinforcement cover
- RV gutter spout covers
- Adhesive reinforcement material
- Weighted toss under buckles



## PREPARING FOR INSTALLATION

Make sure you've purchased the correct size cover for your RV by visiting [Covercraft.com/c/rv](http://Covercraft.com/c/rv) to review sizing information. Measure your RV from end to end, including bumpers, spare tire, and ladder, but excluding the hitch (if applicable) and any mirrors that extend beyond the front of the coach. If you are unsure about sizing, call **Covercraft at 800-541-2326** to speak with a customer service representative.

Clean your RV thoroughly before covering it; a dirty surface can result in black streaks. Pad all sharp edges on the RV, including rain gutters (using the included RV Gutter Spout Covers), steps, ladders (using the included ladder cap), and abrasive corners. Be sure to cover the ladder cap last so it remains usable during installation.

**Note:** Check with your RV manufacturer to determine whether walking on the roof is recommended. If not, use a step ladder instead.

## RV COVER INSTALLATION STEPS

### 1. Prepare the Cover

- **Unroll the Cover:** Place the RV cover next to your RV. Fully unwind all straps and buckles.
- **Invert the Cover:** Turn the cover inside out while it's lying on the ground.
- **Loosely Roll Up:** Roll the cover back up loosely, ensuring the FRONT tag remains the last part unrolled.

### 2. Position the Cover on the RV

- **Grab the Front Tag:** Hold the front tag firmly.
- **Climb the Ladder:** Ascend the ladder to access the roof.
- **Attach the Cover:** From the roof, pull the cover onto the RV roof, mimicking the motion of pulling up a fire hose.

### 3. Spread the Cover

- **Move to the Front:** With the front tag in hand, walk towards the front of the RV.

- **Toss the Front Down:** Throw the front of the cover towards the ground.
- **Even Out the Cover:** Spread the cover over the RV. If inverted correctly, the sides should naturally begin to fall into place.

### 4. Secure the Sides

- **Ensure Proper Placement:** Make sure the sides extend close to the ground, allowing you to grab them from the ground level.

### 5. Finalize Installation

- **Descend the Ladder:** Carefully climb down the ladder.
- **Install Ladder Cap:** Attach the ladder cap as you descend.
- **Pull Down the Cover:** Pull the cover over the back of the coach.

### 6. Center and Secure the Cover

- **Align the Cover:** Before securing the bottom corners, straighten the cover to ensure it's centered on the RV.
- **Secure Bottom Corners:** Once centered, secure the bottom corners. Avoid making adjustments or pulling the fabric afterward to prevent tearing.

### 7. Tighten Straps and Buckles

- **Slip-Seam Straps and Buckles:** Tighten all straps and buckles located on the top and bottom of both passenger and driver's sides, front and rear. (Total of 16 buckles)
- **Cinching Straps and Buckles:** Adjust the cinching straps and buckles at the front and rear of the cover. There are two sets on both the front and rear.
- **Toss-Under Straps and Buckles:** Secure the bottom toss-under straps and buckles on the sides of the cover. Use the weighted toss-under buckles to help tuck the straps beneath the coach. Ensure the straps are moderately tight—**do not overtighten.**

**IMPORTANT:** Please tighten the straps approximately once every 30 days when the RV is stored for extended periods.

**CONTINUED BACK**

# INSTALLATION INSTRUCTIONS

## REMOVING THE COVER FROM YOUR RV

### 1. Disconnect Straps and Buckles

- Detach all straps and buckles located at the bottom, front, and back of the RV cover.

### 2. Remove Front and Rear Corners

- Carefully pull the cover off the front and rear corners of your RV.

### 3. Climb the Ladder

- While simultaneously pulling the cover, ascend the ladder to begin removing the cover from the roof.

### 4. Pull the Sides Onto the Roof

- Lift the sides of the cover onto the roof, turning it inside out to create a continuous strip that spans the entire length of the roof.

### 5. Walk to the Front Carefully

- Move cautiously to the front of the RV, avoiding A/C units and any sections of the cover that aren't lying flat on the roof. Pull the front portion of the cover up onto the roof.

### 6. Roll Up the Cover

- Starting from the rear of the RV, roll the cover upward, ensuring the **FRONT** tag remains exposed at the end of the roll.
- Once fully rolled, toss the rolled cover to the ground. It will be ready for installation the next time you need to use it.